



Sharjah Initial test

Name and surname:

Jane Do

Goal of this test: Control the initial H&S & technical level of each people

Please respect the following rules during the test:

No phone on the table.

No discussion between trainees. No phone call or text messages, please switch off the ringtone.

All the necessary documents are provided to carry on the test.

No copy or photographs of the test

Duration of the test: 60 minutes for the pre-assessment questionnaire & 90 minutes for the post-assessment

When the test is finished, please give your assessment paper to the examiner and leave the conference room. Please be quiet when outside and think about your colleagues still inside for the assessment. Do not stay blocked by one question, if you cannot answer go to the next one and come back later on. Read the questions slowly to be sure that you understand them properly.

Stay calm, you will have one more assessment after the training period where you will be able to show your progression between these two tests.

Except for the 20 first "general" questions, all are only coming from the information inside the theoretical training supports.

Keep in mind that this questionnaire, is here to check your level of knowledges, but more important: your progress capability over this 2 weeks training course (between the pre & post-assessment).

Instructions:

Colour/Tick in black the box(es) you think is the correct answer.

Please use a pencil to mark or blacken the boxes.

If you make a mistake, you can erase and put the correct answer.

Please check the boxes carefully, as the marking system uses automatic computer recognition.

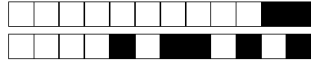
Question 1 Quelle est la capitale de la France ?

Attention, une mauvaise réponse retire des points et une très mauvaise réponse retire encore plus de point !

Lille

Ouagadougou

Paris



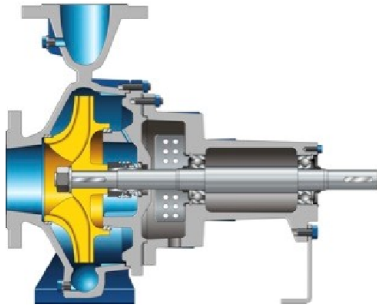
Question 2 ♣] Cocher les villes allemandes ?
Attention, une mauvaise réponse retire des points !

- Bohn
- Hambourg
- Berlin
- Lörrach
- Ouagadougou
- None of these answers are correct.

1/2

P&ID & Technic section

Question 3 Which type of pump is the one on the sectional view hereafter, tick the correct answer:



- Piston pump
- Rotary vane pump
- Vacuum pump
- Centrifugal pump
- Volumetric pump
- Gear pump

0/1

Question 4 On the provided W&S PID (AAK 04 1420 _ 64 P 0003), on the "BOILER HP STEAM" line (1LBA20 BR002), describe what is the type of item 1 LBA20 AA041, by using the "Identification and graphical symbols for P&ID" drawing (AAK 04 0202 _ 64 P 0001):

- Flowmeter
- Control valve
- Temperature sensor
- Check valve

0/1

Question 5 On the provided W&S PID (AAK 04 1420 _ 64 P 0003), on the line between the MP header and LP header (0LBD10 BR010), give the KKS of the filter on the same line, by using the "Identification and graphical symbols for P&ID" drawing (AAK 04 0202 _ 64 P 0001):

- 0LBE10AP201 : Filter
- 0LBE10AT201 : Filter
- 0LBE10AT201 : Globe valve

0/1

Question 6 On the provided W&S PID (AAK 04 1420 _ 64 P 0003), on the line between the MP header and LP header (0LBD10 BR010), give the KKS (identification number) of the first globe valve on (or associated with) the line:

- 0LBD10AA569 : Check valve
- 0LBD10AA569 : Globe valve
- 0LBD10AA568 : Globe valve

0/1



Question 7 Define the order in which water and steam pass through the boiler.
Choose the correct sequence to consider the feedwater inlet as the first step:

- 0/2
- HP header/Steam turbine -> Steam drum/vaporiser -> Low Temp Superheater -> Medium Temp Superheater -> High Temp Superheater -> Economiser
 - Economiser -> Steam drum/vaporiser -> HP header/Steam turbine -> Low Temp Superheater -> Medium Temp Superheater -> High Temp Superheater
 - Economiser -> Steam drum/vaporiser -> Low Temp Superheater -> Medium Temp Superheater -> High Temp Superheater -> HP header/Steam turbine
 - Steam drum/vaporiser -> Low Temp Superheater -> Medium Temp Superheater -> High Temp Superheater -> Economiser -> HP header/Steam turbine

Question 8 ♣] Cocher les villes françaises ?
Attention, une mauvaise réponse retire des points !

- 0/2
- Perpignan
 - Berlin
 - Paris
 - Lille
 - Ouagadougou
 - None of these answers are correct.



Sharjah Initial test

Name and surname:

John Do

Goal of this test: Control the initial H&S & technical level of each people

Please respect the following rules during the test:

No phone on the table.

No discussion between trainees. No phone call or text messages, please switch off the ringtone.

All the necessary documents are provided to carry on the test.

No copy or photographs of the test

Duration of the test: 60 minutes for the pre-assessment questionnaire & 90 minutes for the post-assessment

When the test is finished, please give your assessment paper to the examiner and leave the conference room. Please be quiet when outside and think about your colleagues still inside for the assessment. Do not stay blocked by one question, if you cannot answer go to the next one and come back later on. Read the questions slowly to be sure that you understand them properly.

Stay calm, you will have one more assessment after the training period where you will be able to show your progression between these two tests.

Except for the 20 first "general" questions, all are only coming from the information inside the theoretical training supports.

Keep in mind that this questionnaire, is here to check your level of knowledges, but more important: your progress capability over this 2 weeks training course (between the pre & post-assessment).

Instructions:

Colour/Tick in black the box(es) you think is the correct answer.

Please use a pencil to mark or blacken the boxes.

If you make a mistake, you can erase and put the correct answer.

Please check the boxes carefully, as the marking system uses automatic computer recognition.

Question 1 Quelle est la capitale de la France ?

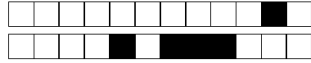
Attention, une mauvaise réponse retire des points et une très mauvaise réponse retire encore plus de point !

Paris

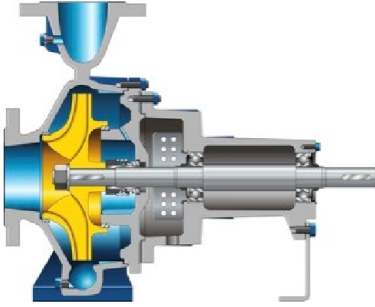
Ouagadougou

Lille

P&ID & Technic section



Question 2 Which type of pump is the one on the sectional view hereafter, tick the correct answer:



- Rotary vane pump
- Centrifugal pump
- Volumetric pump
- Gear pump
- Piston pump
- Vacuum pump

0/1

Question 3 On the provided W&S PID (AAK 04 1420 _ 64 P 0003), on the "BOILER HP STEAM" line (1LBA20 BR002), describe what is the type of item 1 LBA20 AA041, by using the "Identification and graphical symbols for P&ID" drawing (AAK 04 0202 _ 64 P 0001):

- Flowmeter
- Control valve
- Check valve
- Temperature sensor

0/1

Question 4 On the provided W&S PID (AAK 04 1420 _ 64 P 0003), on the line between the MP header and LP header (0LBD10 BR010), give the KKS of the filter on the same line, by using the "Identification and graphical symbols for P&ID" drawing (AAK 04 0202 _ 64 P 0001):

- 0LBE10AP201 : Filter
- 0LBE10AT201 : Filter
- 0LBE10AT201 : Globe valve

0/1

Question 5 On the provided W&S PID (AAK 04 1420 _ 64 P 0003), on the line between the MP header and LP header (0LBD10 BR010), give the KKS (identification number) of the first globe valve on (or associated with) the line:

- 0LBD10AA568 : Globe valve
- 0LBD10AA569 : Globe valve
- 0LBD10AA569 : Check valve

0/1

Question 6 Define the order in which water and steam pass through the boiler. Choose the correct sequence to consider the feedwater inlet as the first step:

- Steam drum/vaporiser -> Low Temp Superheater -> Medium Temp Superheater -> High Temp Superheater -> Economiser -> HP header/Steam turbine
- HP header/Steam turbine -> Steam drum/vaporiser -> Low Temp Superheater -> Medium Temp Superheater -> High Temp Superheater -> Economiser
- Economiser -> Steam drum/vaporiser -> HP header/Steam turbine -> Low Temp Superheater -> Medium Temp Superheater -> High Temp Superheater
- Economiser -> Steam drum/vaporiser -> Low Temp Superheater -> Medium Temp Superheater -> High Temp Superheater -> HP header/Steam turbine

0/2



Question 7 ♣] Cocher les villes françaises ?
Attention, une mauvaise réponse retire des points !

- 0/2
- Paris
 - Ouagadougou
 - Berlin
 - Lille
 - Perpignan
 - None of these answers are correct.*

Question 8 ♣] Cocher les villes allemandes ?
Attention, une mauvaise réponse retire des points !

- 0/2
- Berlin
 - Bohn
 - Ouagadougou
 - Lörrach
 - Hambourg
 - None of these answers are correct.*



Sharjah Initial test

Name and surname:

Prénom Nom

Goal of this test: Control the initial H&S & technical level of each people

Please respect the following rules during the test:

No phone on the table.

No discussion between trainees. No phone call or text messages, please switch off the ringtone.

All the necessary documents are provided to carry on the test.

No copy or photographs of the test

Duration of the test: 60 minutes for the pre-assessment questionnaire & 90 minutes for the post-assessment

When the test is finished, please give your assessment paper to the examiner and leave the conference room. Please be quiet when outside and think about your colleagues still inside for the assessment. Do not stay blocked by one question, if you cannot answer go to the next one and come back later on. Read the questions slowly to be sure that you understand them properly.

Stay calm, you will have one more assessment after the training period where you will be able to show your progression between these two tests.

Except for the 20 first "general" questions, all are only coming from the information inside the theoretical training supports.

Keep in mind that this questionnaire, is here to check your level of knowledges, but more important: your progress capability over this 2 weeks training course (between the pre & post-assessment).

Instructions:

Colour/Tick in black the box(es) you think is the correct answer.

Please use a pencil to mark or blacken the boxes.

If you make a mistake, you can erase and put the correct answer.

Please check the boxes carefully, as the marking system uses automatic computer recognition.

Question 1 ♣] Cocher les villes allemandes ?

Attention, une mauvaise réponse retire des points !

Berlin

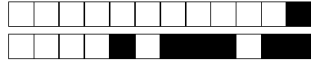
Ouagadougou

Hambourg

Lörrach

Bohn

None of these answers are correct.



Question 2 Quelle est la capitale de la France ?

Attention, une mauvaise réponse retire des points et une très mauvaise réponse retire encore plus de point !

- Lille
- Paris
- Ouagadougou

0/2

P&ID & Technic section

Question 3 On the provided W&S PID (AAK 04 1420 _ 64 P 0003), on the line between the MP header and LP header (0LBD10 BR010), give the KKS of the filter on the same line, by using the "Identification and graphical symbols for P&ID" drawing (AAK 04 0202 _ 64 P 0001):

- 0LBE10AT201 : Globe valve
- 0LBE10AT201 : Filter
- 0LBE10AP201 : Filter

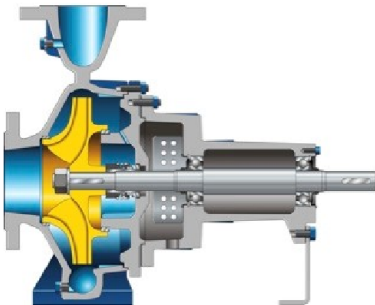
0/1

Question 4 On the provided W&S PID (AAK 04 1420 _ 64 P 0003), on the "BOILER HP STEAM" line (1LBA20 BR002), describe what is the type of item 1 LBA20 AA041, by using the "Identification and graphical symbols for P&ID" drawing (AAK 04 0202 _ 64 P 0001):

- Temperature sensor
- Check valve
- Control valve
- Flowmeter

0/1

Question 5 Which type of pump is the one on the sectional view hereafter, tick the correct answer:



- Piston pump
- Centrifugal pump
- Vacuum pump
- Gear pump
- Volumetric pump
- Rotary vane pump

0/1

Question 6 On the provided W&S PID (AAK 04 1420 _ 64 P 0003), on the line between the MP header and LP header (0LBD10 BR010), give the KKS (identification number) of the first globe valve on (or associated with) the line:

- 0LBD10AA568 : Globe valve
- 0LBD10AA569 : Globe valve
- 0LBD10AA569 : Check valve

0/1



Question 7 Define the order in which water and steam pass through the boiler.
Choose the correct sequence to consider the feedwater inlet as the first step:

- 0/2
- Economiser -> Steam drum/vaporiser -> Low Temp Superheater -> Medium Temp Superheater -> High Temp Superheater -> HP header/Steam turbine
 - Economiser -> Steam drum/vaporiser -> HP header/Steam turbine -> Low Temp Superheater -> Medium Temp Superheater -> High Temp Superheater
 - HP header/Steam turbine -> Steam drum/vaporiser -> Low Temp Superheater -> Medium Temp Superheater -> High Temp Superheater -> Economiser
 - Steam drum/vaporiser -> Low Temp Superheater -> Medium Temp Superheater -> High Temp Superheater -> Economiser -> HP header/Steam turbine

Question 8 ♣] Cocher les villes françaises ?
Attention, une mauvaise réponse retire des points !

- 1/2
- Berlin
 - Ouagadougou
 - Paris
 - Lille
 - Perpignan
 - None of these answers are correct.